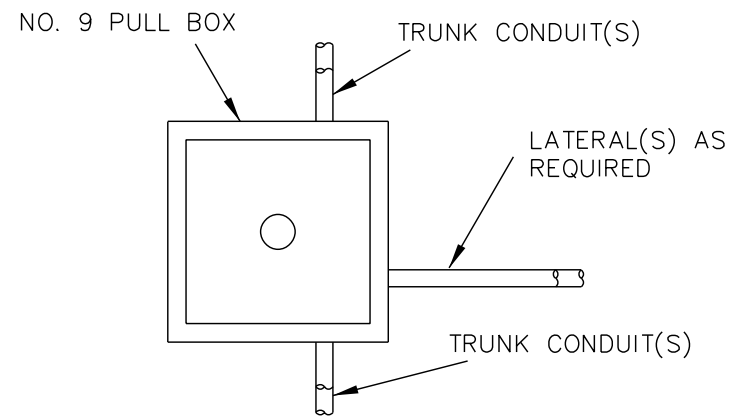


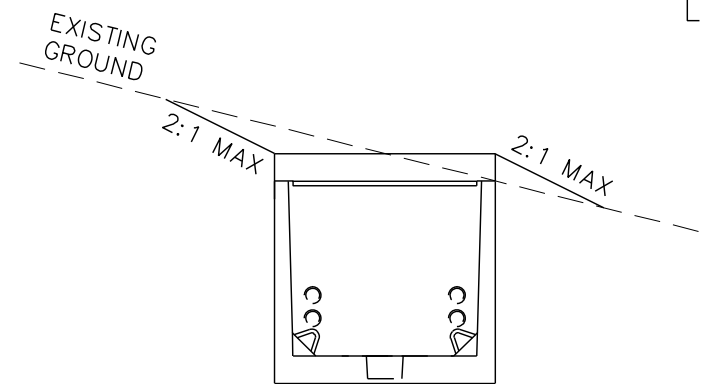
CONDUIT TRANSITION AND INSTALLATION

NOTES:

1. BACKFILL WITH DESIGNATED SIZE NO. 57 AGGREGATE BELOW PULL BOX. BACKFILL AROUND SIDES OF PULL BOX WITH SELECT EXCAVATED MATERIAL, AND COMPACT TO 95% MAXIMUM DENSITY.
2. CONDUIT ALIGNMENT OFFSETS ARE TO BE ACCOMPLISHED BY A GRADUAL RATE OF CONDUIT DEFLECTION OVER A DISTANCE EQUAL TO OR GREATER THAN TEN (10) TIMES THE OFFSET DISTANCE.
3. PROVIDE 50 FEET OF FIBER CABLE SLACK FOR EACH CABLE ENTERING ANY NO. 9 PULL BOX WHERE CABLE WILL BE SPLICED. PROVIDE 100 FEET OF SLACK FOR EACH CABLE ENTERING ANY NO. 9 PULL BOX THAT IS NOT BEING SPLICED AS PART OF THIS PROJECT. SLACK REQUIREMENTS APPLY TO ALL FIBER TRUNK AND BRANCH CABLES.
4. EACH CONDUIT END SHALL BE PLUGGED BY A TOWN-APPROVED WATERPROOF DUCT PLUG, WITH THE DETECTABLE ELEMENT EXTENDED OUTSIDE THE PLUG AND CONNECTED TO OTHER DETECTABLE ELEMENTS FROM OTHER CONDUITS, RESULTING IN A CONTINUOUS CIRCUIT.
5. ALL CABLES SHALL BE IDENTIFIED WITH CABLE TAGS, INDICATING FIBER COUNT AND ORIGIN/DESTINATION.
6. FINAL SET ELEVATION OF PULL BOX SHALL CONSIDER ADJACENT LANDSCAPING MATERIALS, TO PREVENT INTRUSION INTO OPEN BOX.



LATERAL CONDUIT INSTALLATION



INSTALLATION IN SLOPED AREAS

MATERIAL LIST	
ITEM	DESCRIPTION
1	WARNING TAPE
2	NO. 9 PULL BOX (CONCRETE)
3	DESIGNATED SIZE NO. 57 AGGREGATE
4	1/2 SACK CLSM
5	SCHEDULE 40 PVC CONDUIT, PER PLANS
6	RACK & HOOK (EACH WALL TYP)

REV. 06/2016



**TOWN OF QUEEN CREEK  
STANDARD DETAIL**

**No. 9 PULL BOX INSTALLATION**

**ITS-04**